

Physics (BA): Sample Curriculum

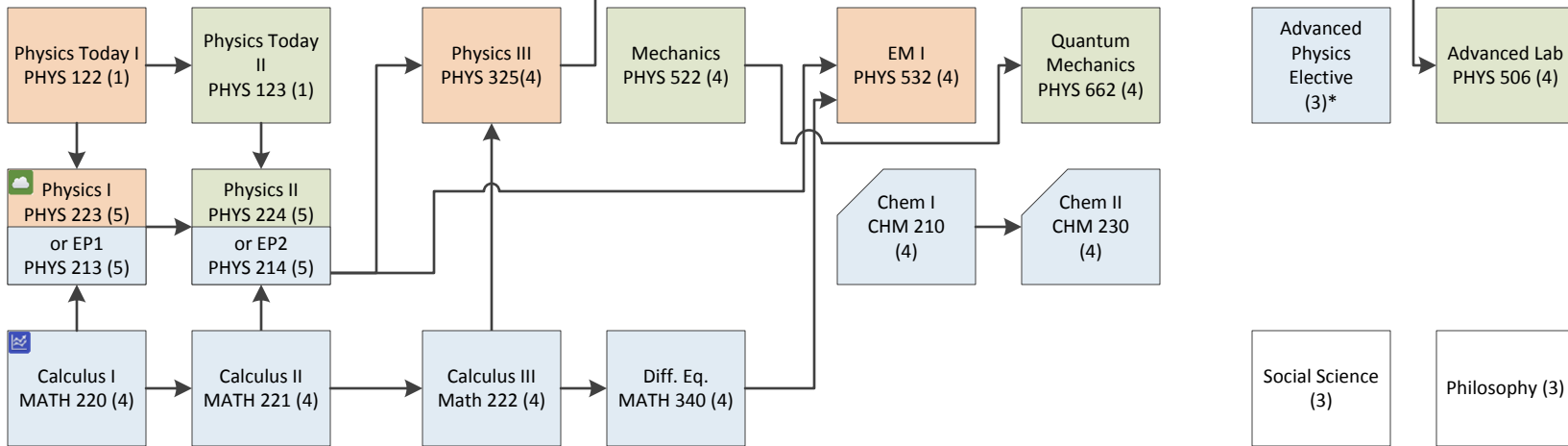
First Year

Sophomore Year

Junior Year

Senior Year

Notes:

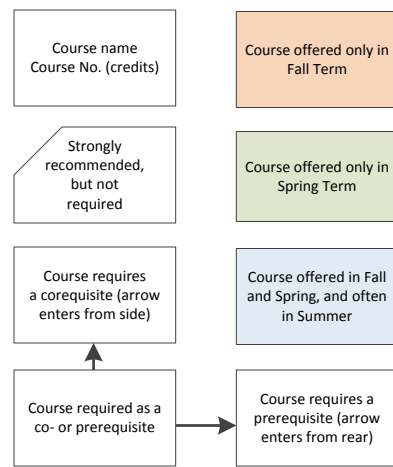


* Some advanced physics electives are only offered alternate years; check with the department for availability.

** The B.A. degree requires completion of a "Level 4" foreign language course (excluding "Conversation 4A" courses) OR completion of two semesters each of two different languages (IF one of the languages is only offered for two semesters). The credit hours and course counts may also be reduced if the student directly enters and completes upper-level courses to demonstrate proficiency.

The BS degree also requires 120 credits; 45 must be in upper division courses.

KEY



The following also needs to be considered in the College-level basic requirements:

- The social science courses need to be from three different disciplines.
- One social science course must be at 500-level or above, or carry a prerequisite in the same department.
- One course must meet the International Overlay.
- One course must meet the US Multicultural Overlay.
- The foreign language component fulfills the Western Heritage / Literary Rhetorical Arts requirement.

The following remaining K-State 8 requirements should be considered when selecting courses in History and College-level basic requirements:

- Aesthetic Experience and Interpretive Understanding
- Ethical Reasoning and Responsibility
- Global Issues and Perspectives
- Historical Perspectives
- Human Diversity within the U.S.
- Social Sciences

The courses need to be from at least two different departments.

Total Hours:
120+

15-16 credits 15-16 credits 16 credits 16 credits 16 credits 16 credits 13 credits 13 credits